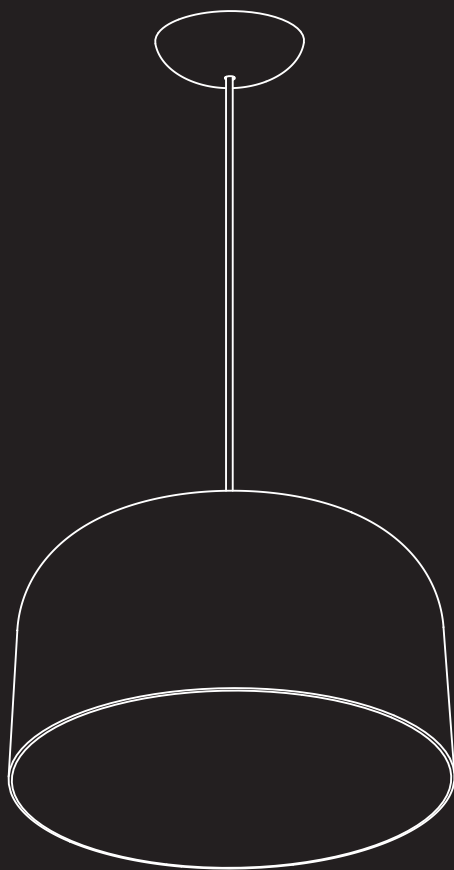


ZILE SUSPENSION

design Archirivolto

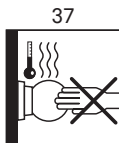
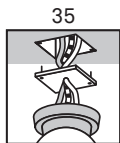
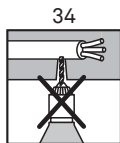
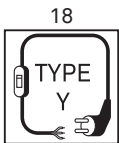
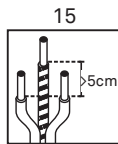
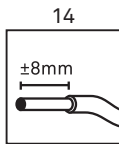
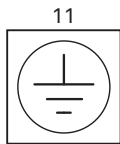
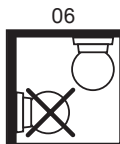
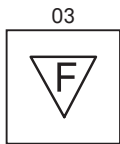
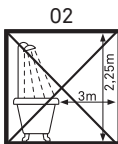


**LUCE
PLAN**

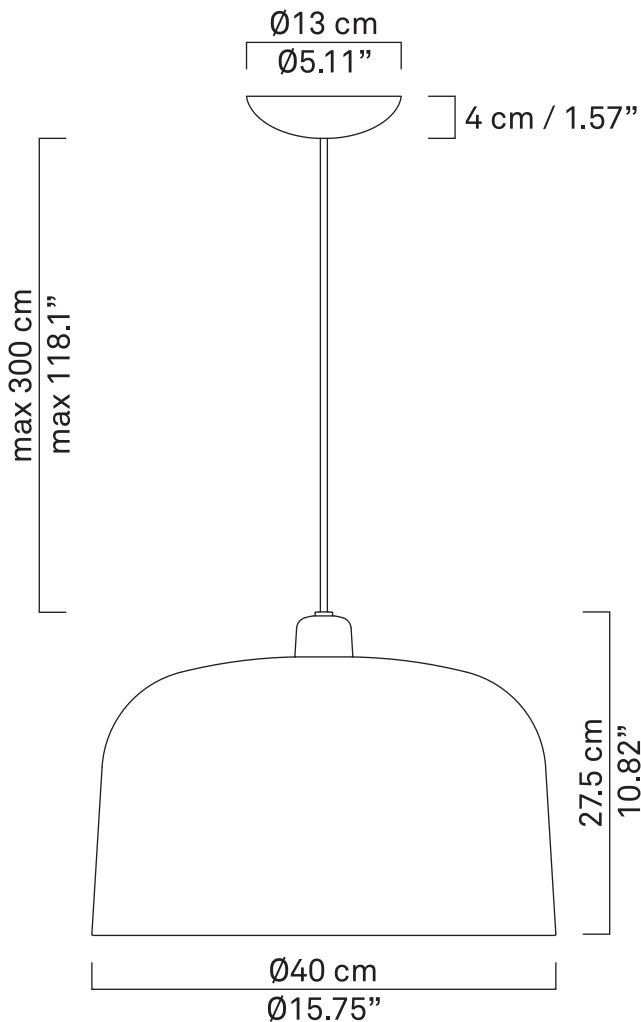
B02



B02S20 - B02S40

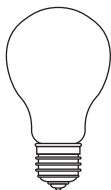


BO2S40



kg 2 kg

lb 4,4 lb



LED E27
h max 16.6 cm - 6.49"
Ø max 6.5 cm - 4.52"

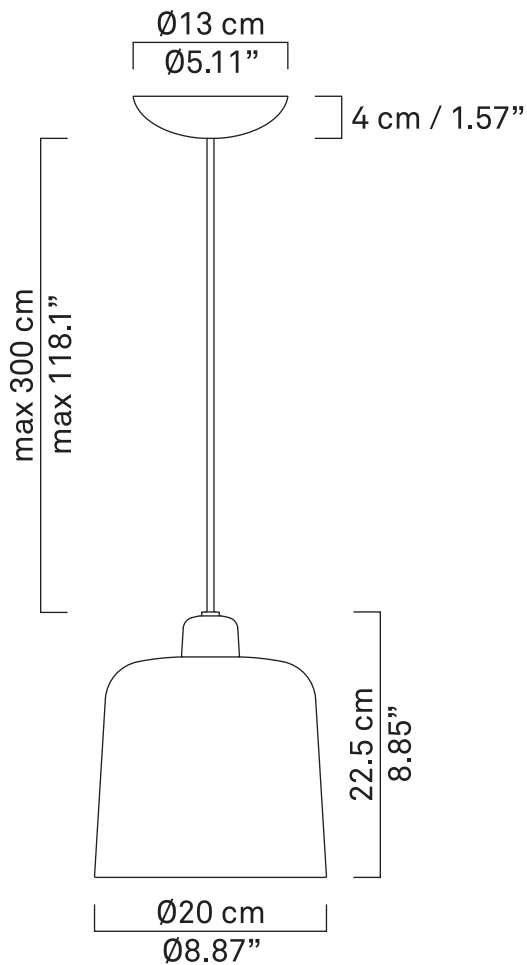
BO2S20



a

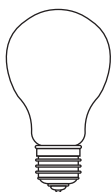


b



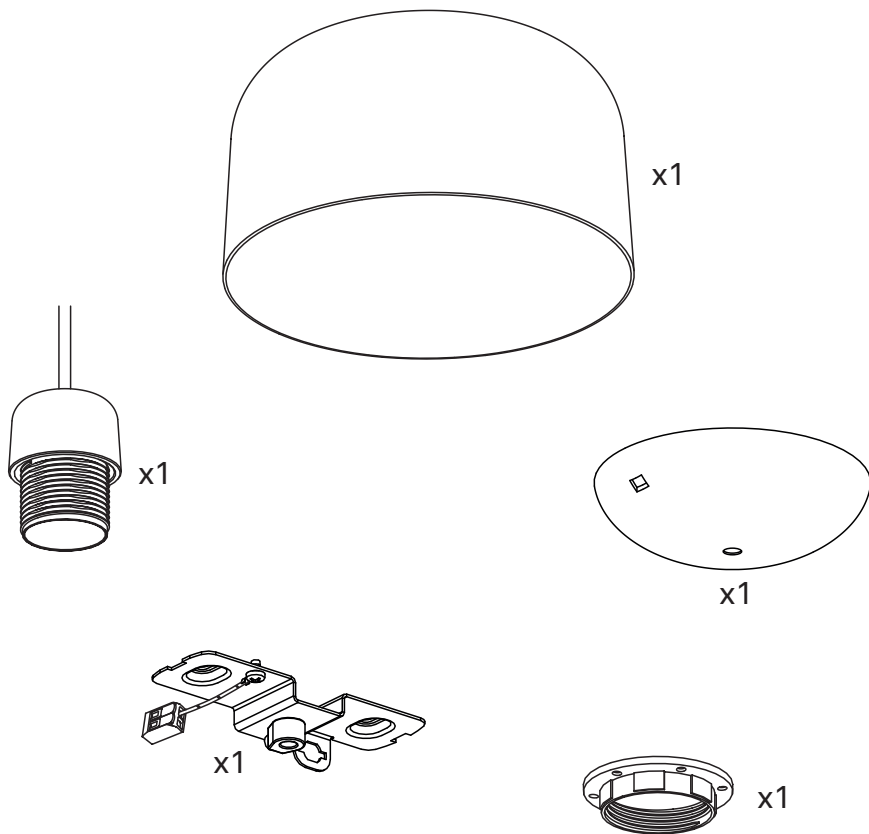
kg 0,6 kg

lb 1,3 lb

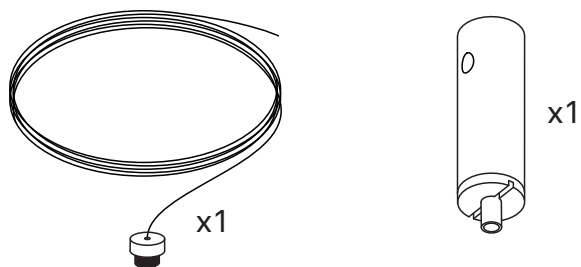


LED E27
h max 16.6 cm - 6.49"
 \O max 6.5 cm - 4.52"

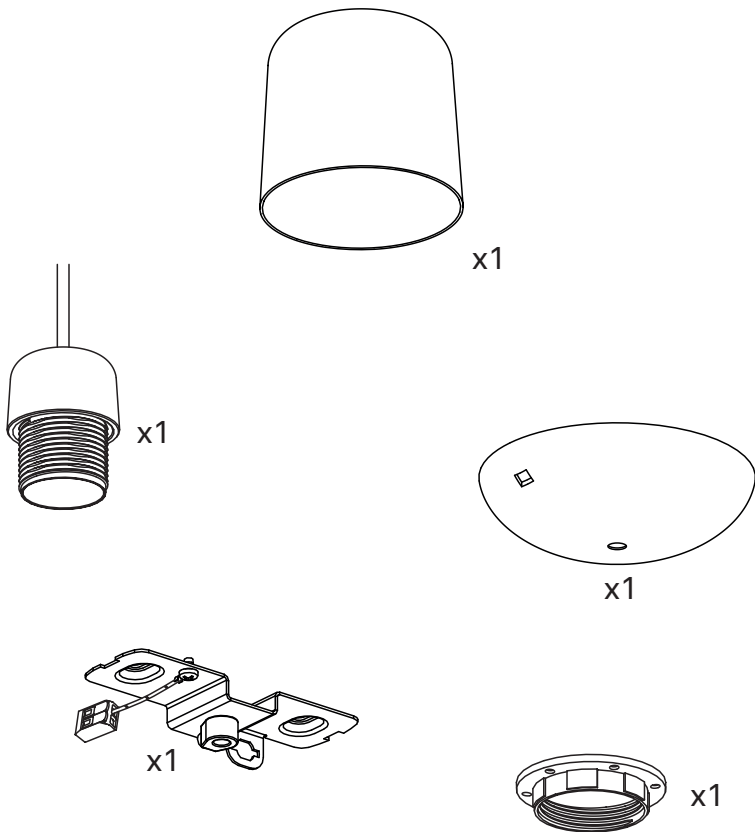
B02S40



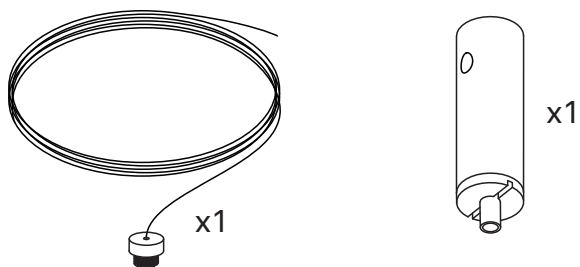
B02/1



B02S20

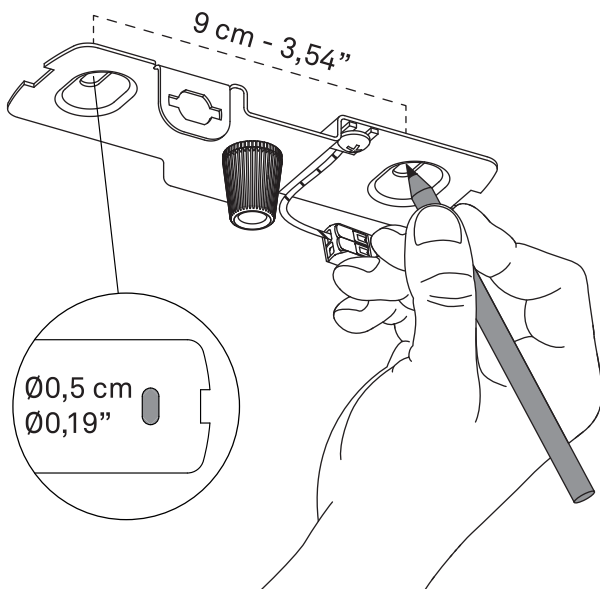
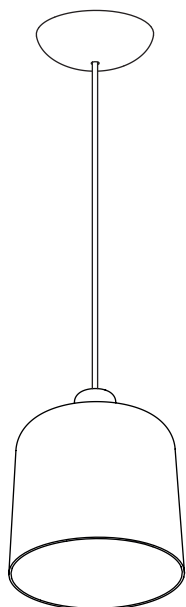


B02/1

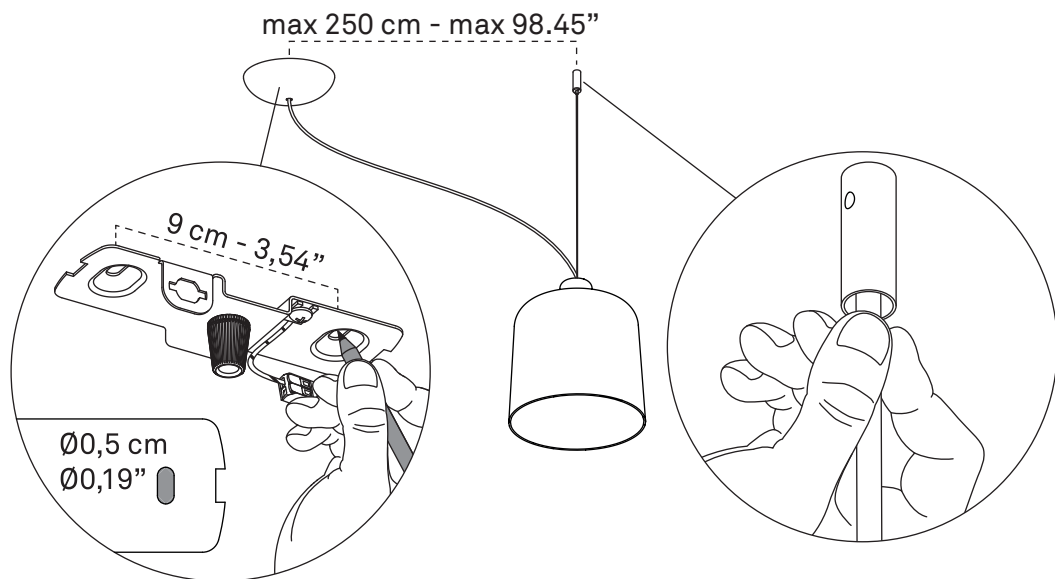


1

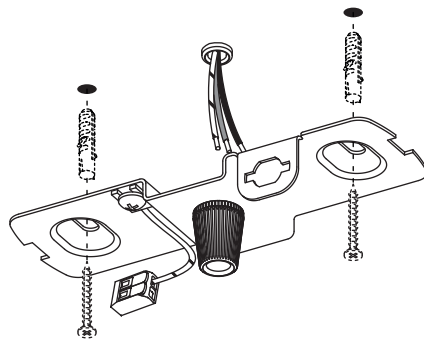
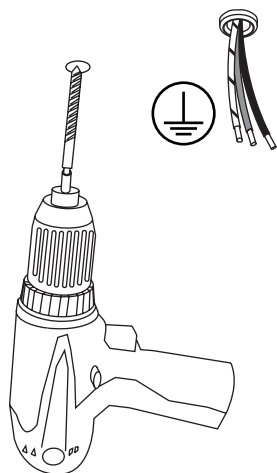
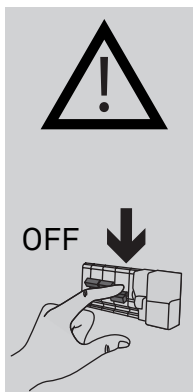
1.1 B02S20 - B02S40



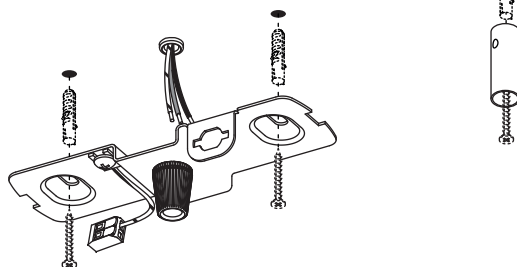
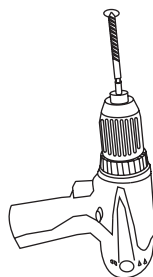
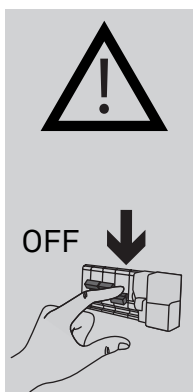
B02S20 - B02S40 + B02/1



1.2 B02S20 - B02S40

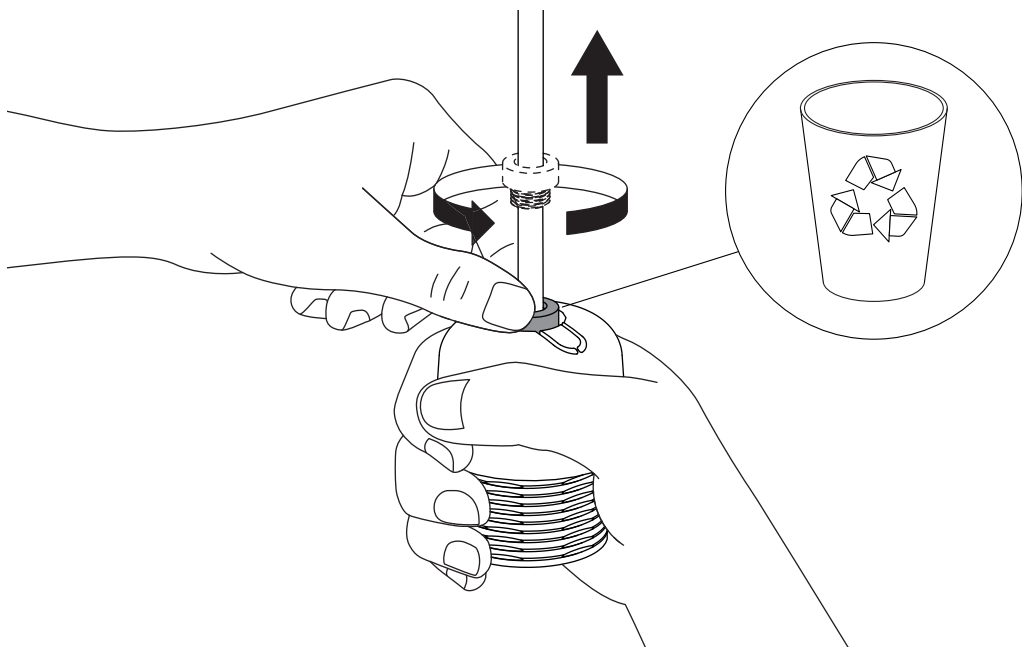


B02S20 - B02S40 + B02/1

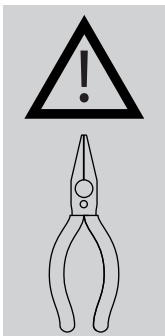
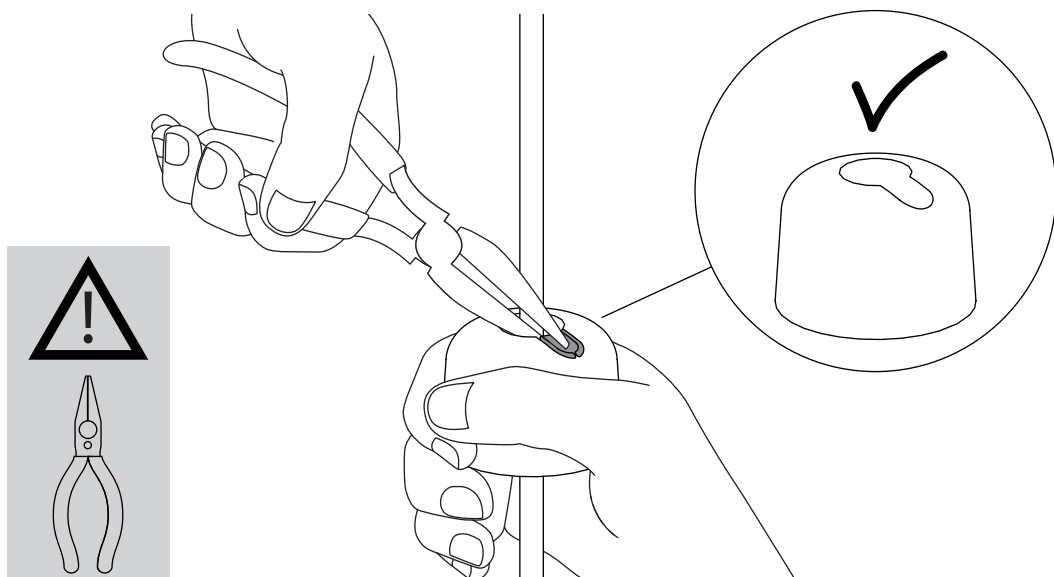


2

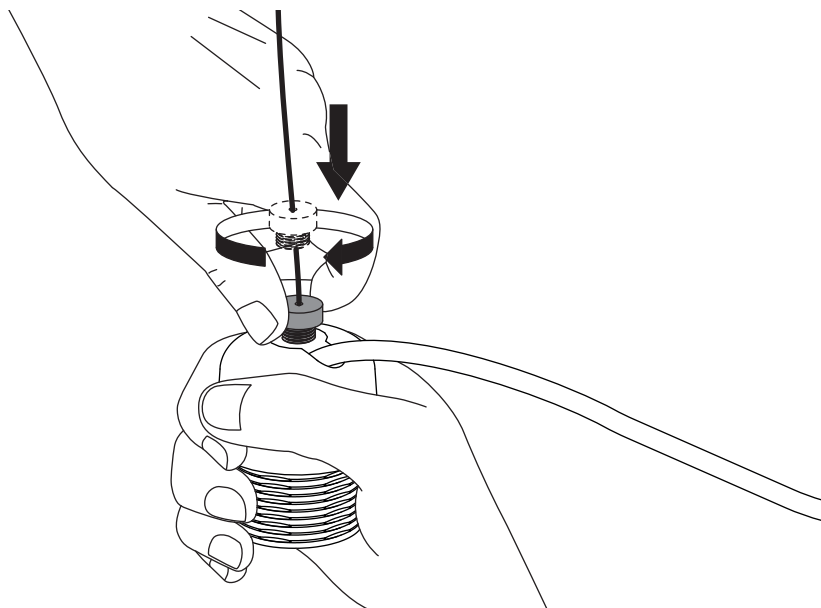
2.1 B02S20 - B02S40 + B02/1



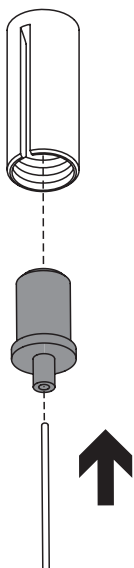
2.2



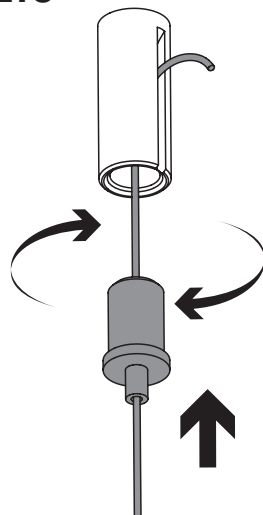
2.3 B02S20 - B02S40 + B02/1



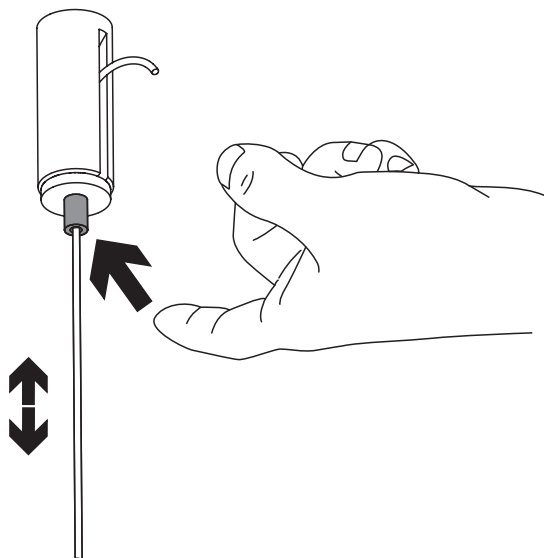
2.4



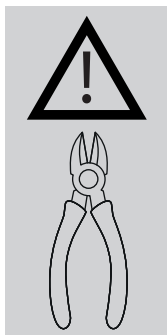
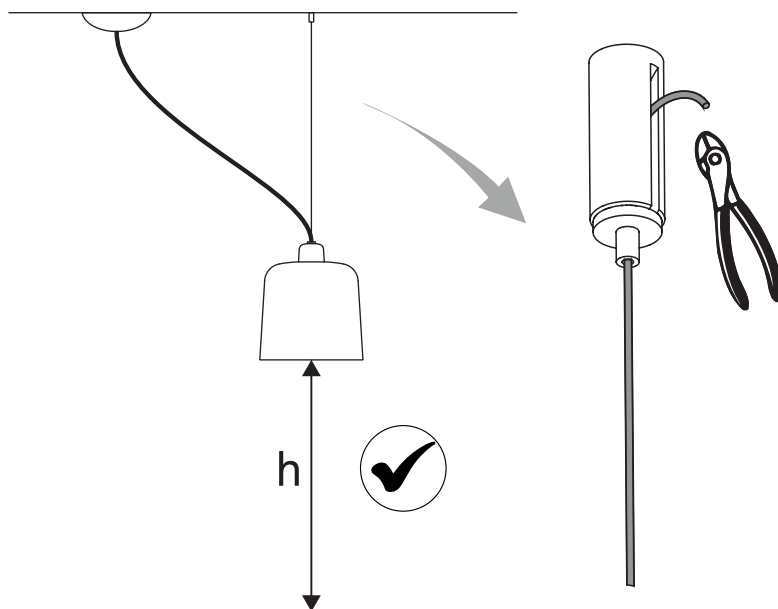
2.5



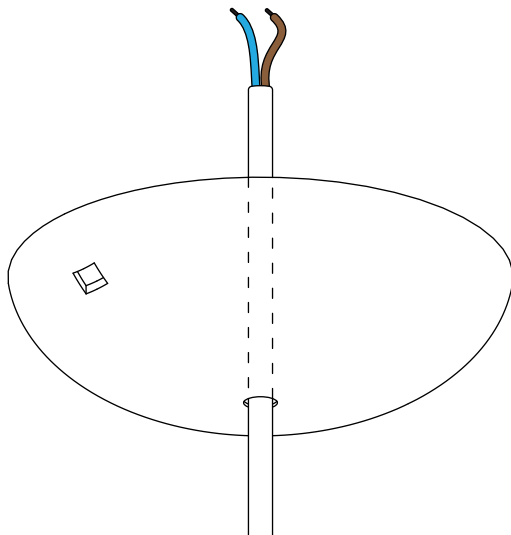
2.6 B02S20 - B02S40 + B02/1



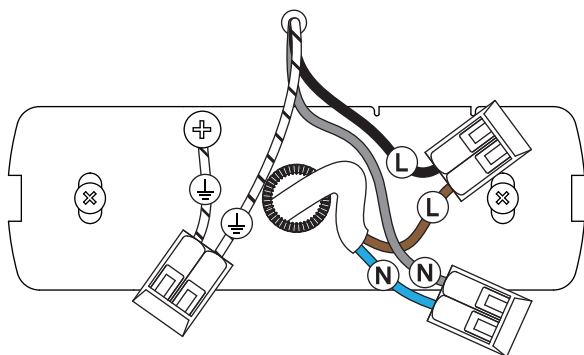
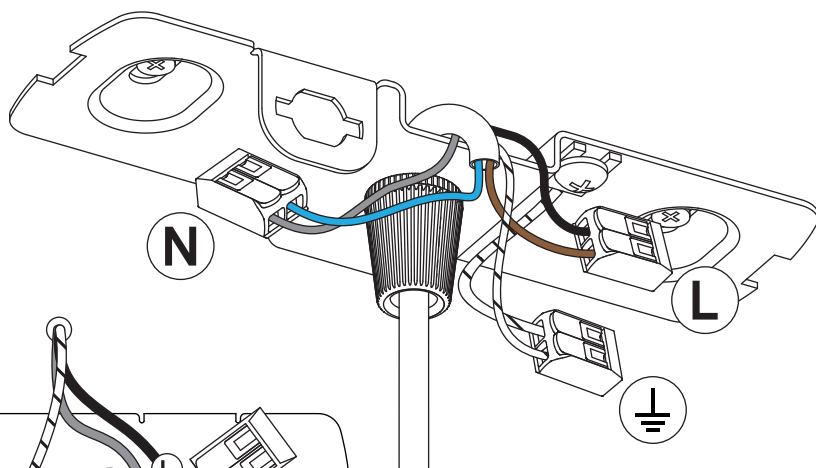
2.7



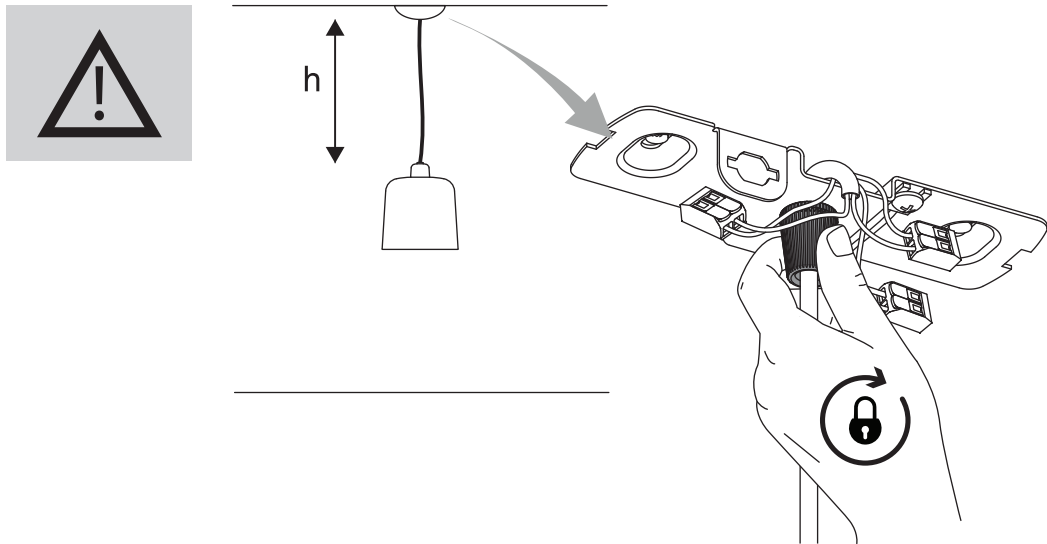
3 | 3.1



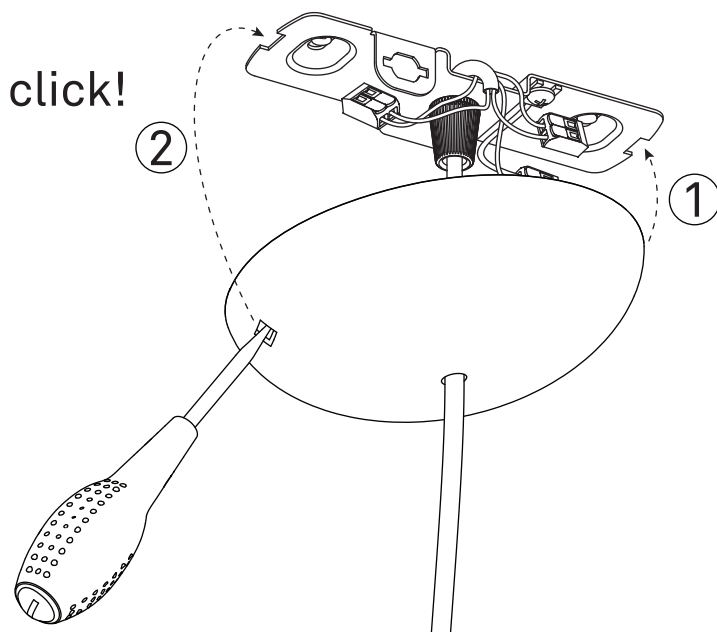
3.2



3.3

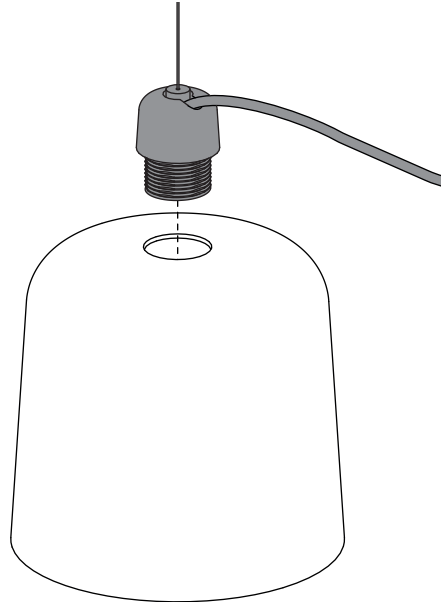
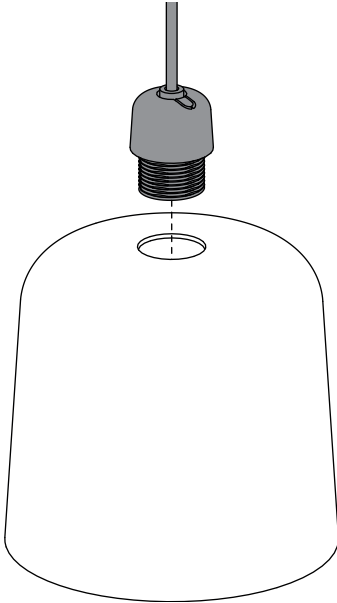


3.4

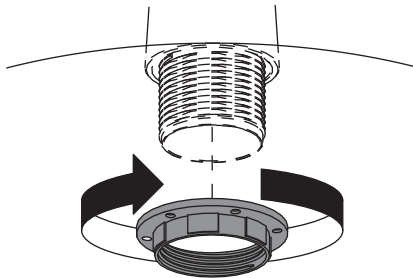
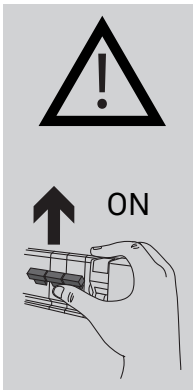


4 | 4.1 B02S20 - B02S40

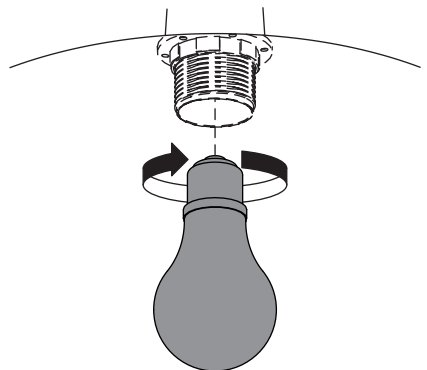
B02S20 - B02S40 + B02/1



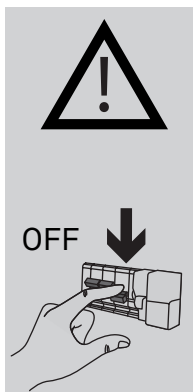
4.2



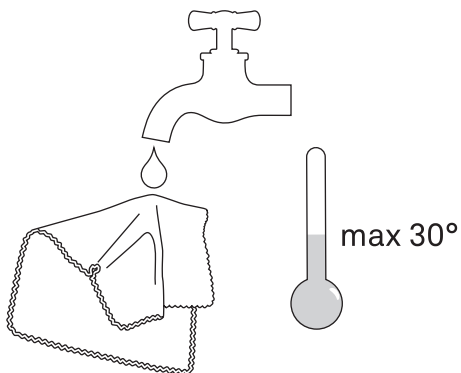
4.3



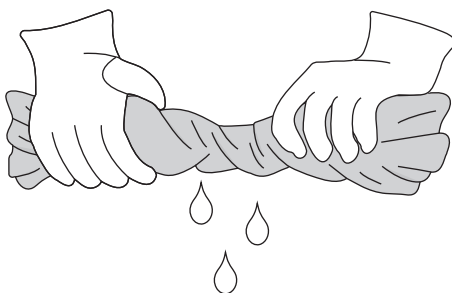
5 |



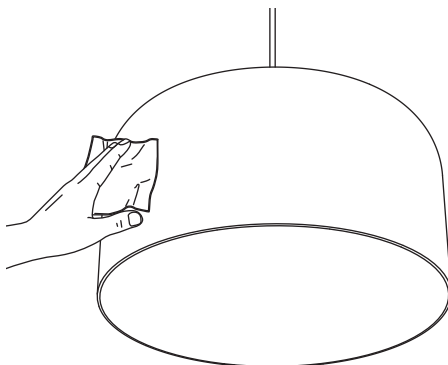
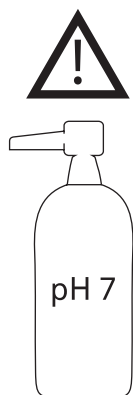
1.



2.



3.





www.luceplan.com

B02010003

12/158600.00